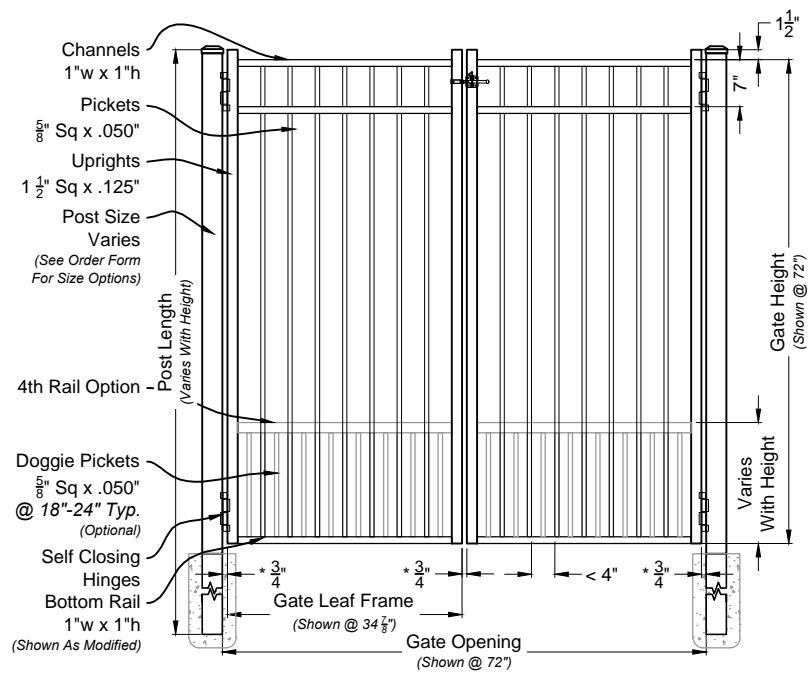
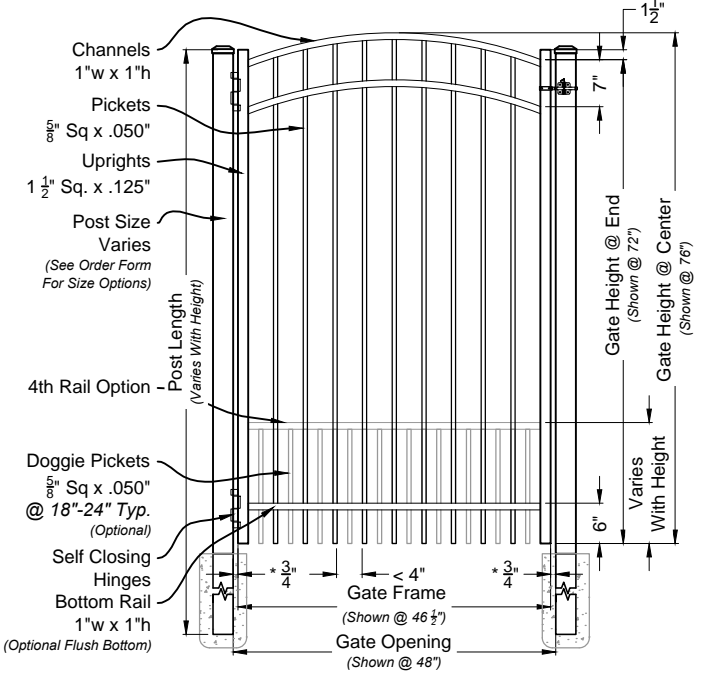


i
01 **Long Islander #300 6ft Fence Panel**
Shown As Residential Series Scale: NTS

Matching Gate Options



i
02 **Long Islander Single Walk Gate**
#3003 Arched Rail Option Scale: NTS

i
03 **Long Islander Double Walk Gate**
#6300M Straight Rail Option Scale: NTS

Long Islander Fence & Gate
Residential Series #300



DRAWING NOTES:
Don't Scale From Drawings.
Please See Our Fence & Gate Style Sheet For Other Options.

*Other Optional Gate Hardware Available, But May Change The Hinge And Latch Clearances.

Res 300 Series
Fence & Gate
Details

Approved By: iDeal Aluminum Quote #: _____
Drawn By: JMixon Drawn Date: 26-Nov-13

2000 Brunswick Lane Phone: 386.736.1700
Deland, FL 32724 Fax: 386.822.4956