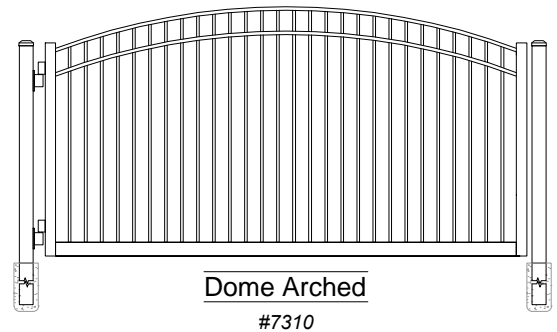
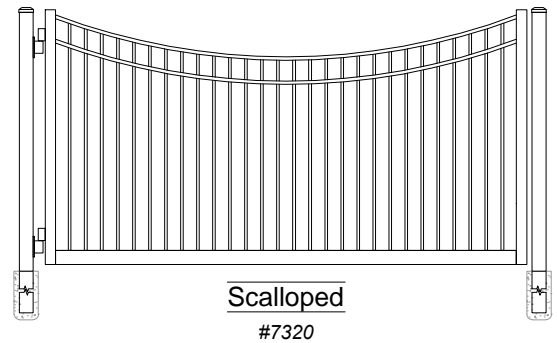
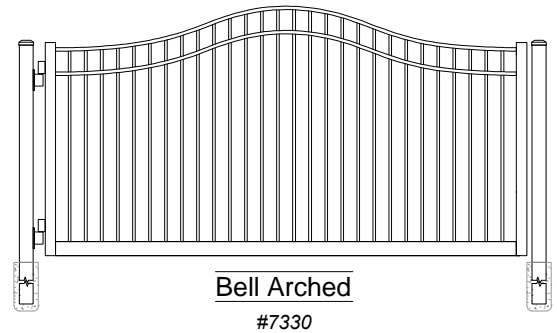
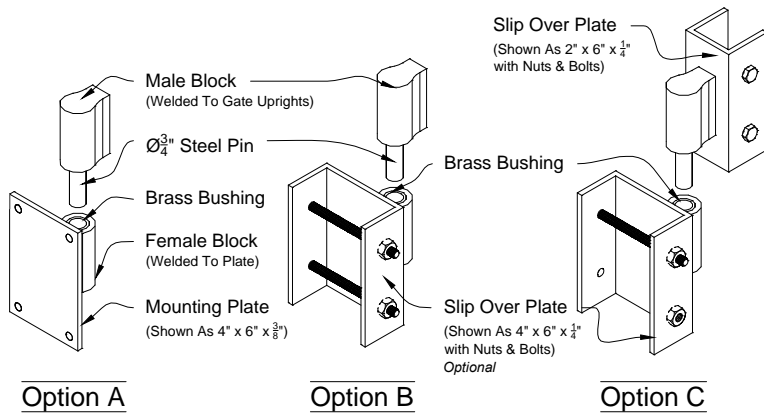


**01** **Long Islander #7300 Single Swing Gate**  
 Shown As Standard (Commercial Series) Scale: NTS



**02** **iDeal Barrel Hinge**  
 Custom To Fit Any Post Size Scale: NTS

Long Islander Single Swing Estate Gate  
 Commercial



**DRAWING NOTES:**  
 Don't Scale Drawings  
 Please See Our Estate Gate Style Sheet For  
 Other Options

Long Islander  
 Series Single  
 Swing Estate  
 Gates

Approved By: iDeal Aluminum Quote #:   
 Drawn By: JMixon Drawn Date: 25-Sep-17

3200 Parker Drive Phone: 386.736.1700  
 St Augustine, FL 32084 Fax: 386.822.4956