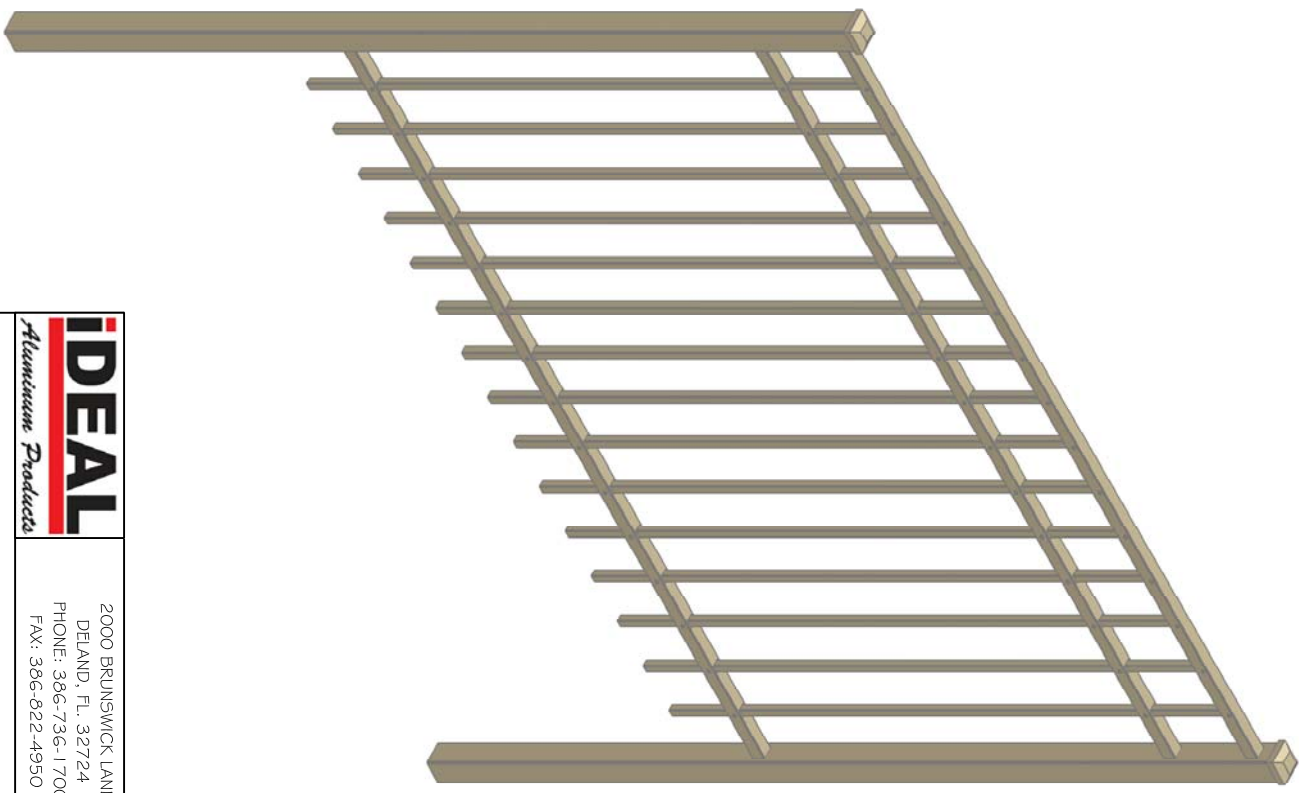
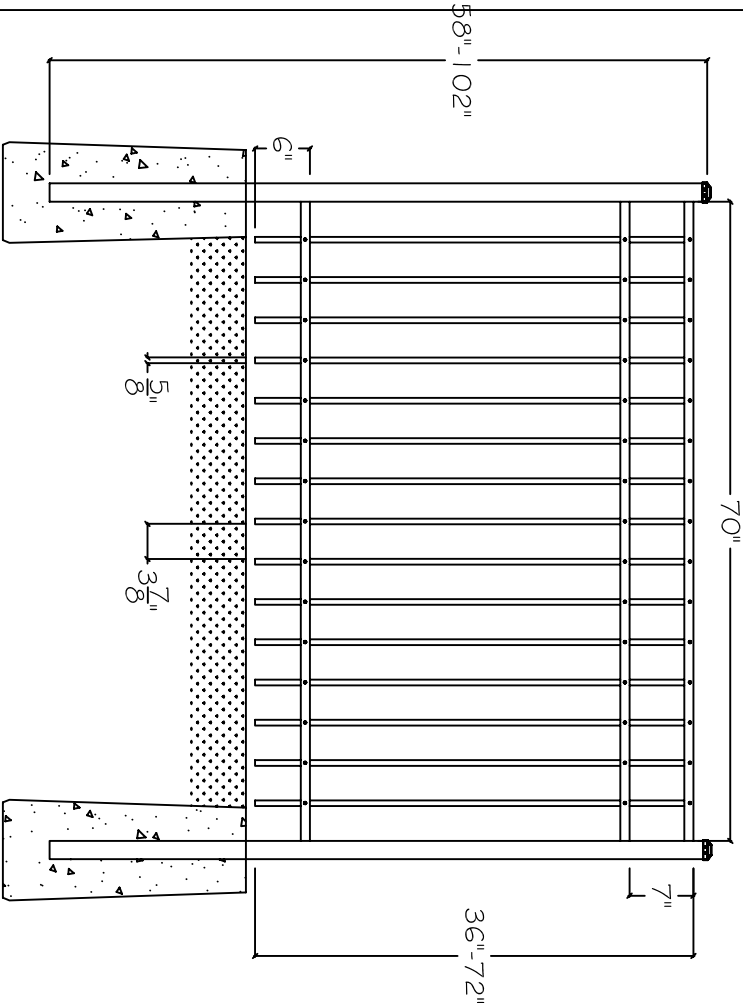


FENCE PARTS		DESCRIPTION
ITEM	QTY	DESCRIPTION
1	15	5/8" PRESS. POINT PICKET W/ .050" THICKNESS
2	3	1" X 1" HORIZONTAL RAIL W/ .062X.072" THICKNESS
3	2	2" POST CAP
4	2	2" SQ. POST W/ .062" THICKNESS
5	45	SCREWS
6		
7		
8		



Drawn by: M. KODOLIS
 www.idealaluminumproducts.com
 This drawing is the property of Ideal Aluminum Products.
 It is to be used only for the project and location specified.
 It is to be made or in part without written consent.

		2000 BRUNSWICK LANE DELAND, FL 32724 PHONE: 386-736-1700 FAX: 386-822-4950
DRAWING: # 300 RESIDENTIAL		
DWG. NO: 300-72-48	REV: 01	
SCALE: NTS		1/23/2007 4:52:29 PM