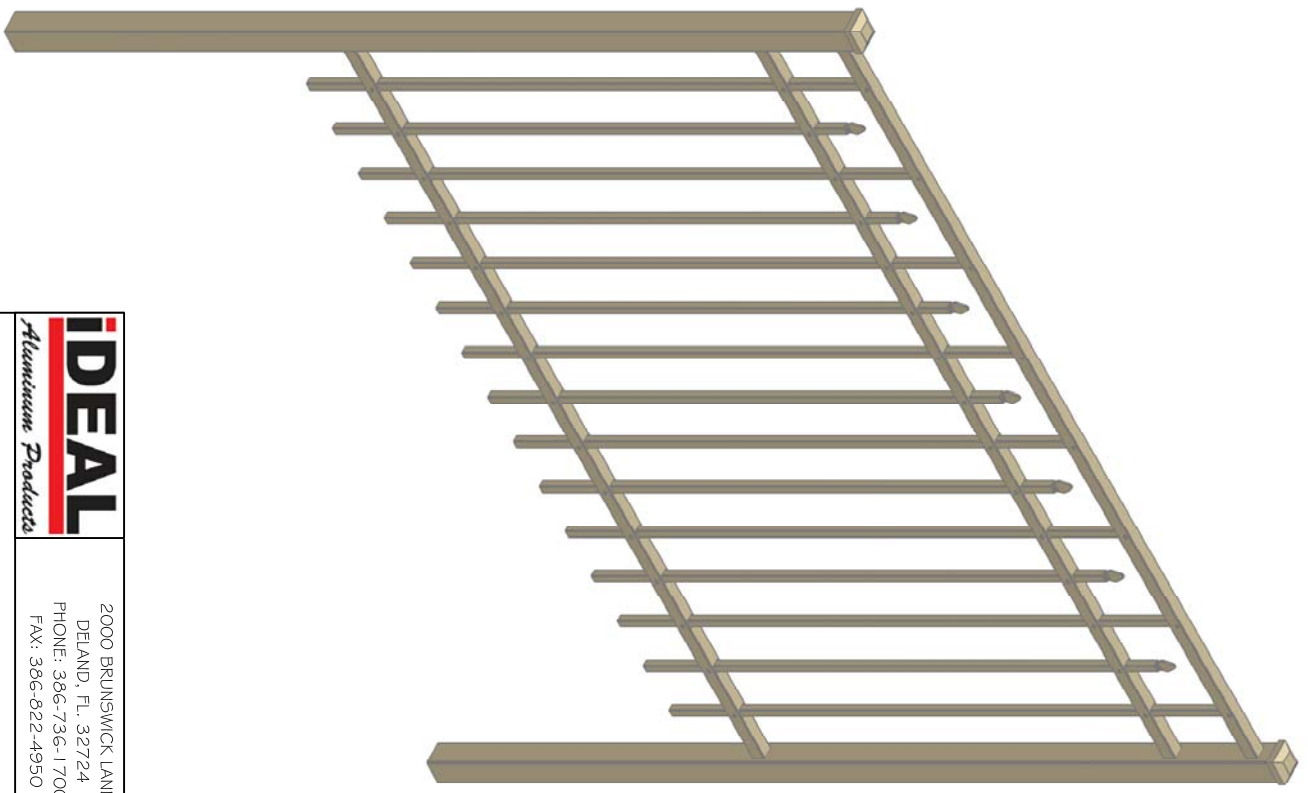
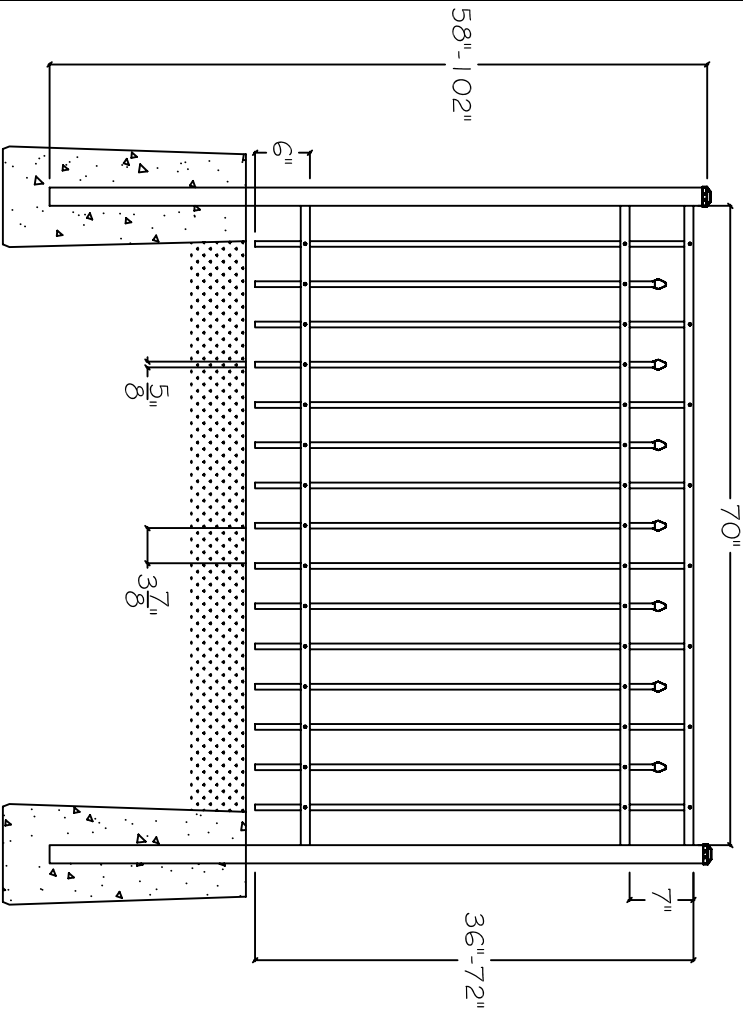


FENCE PARTS		ITEM	QTY	DESCRIPTION
1	15	5/8" PRESS. POINT PICKET W/ .050" THICKNESS		
2	3	1" X 1" HORIZONTAL RAIL W/ .062% .072" THICKNESS		
3	2	2" POST CAP		
4	2	2" SQ. POST W/ .125" THICKNESS		
5	45	SCREWS		
6				
7				
8				



IDEAL
Aluminum Products
 2000 BRUNSWICK LANE
 DELAND, FL 32724
 PHONE: 386-736-1700
 FAX: 386-822-4950

DRAWING: #303 RESIDENTIAL

DWG. NO: 303-72-48 REV: 01

SCALE: NTS 12/31/2007 4:57:01 PM

Drawn by: DL 2/20/07
 www.idealaluminumproducts.com
 This drawing is the property of Ideal Aluminum Products.
 It is to be used for the project and location specified.
 It is to be made or in part without written consent.