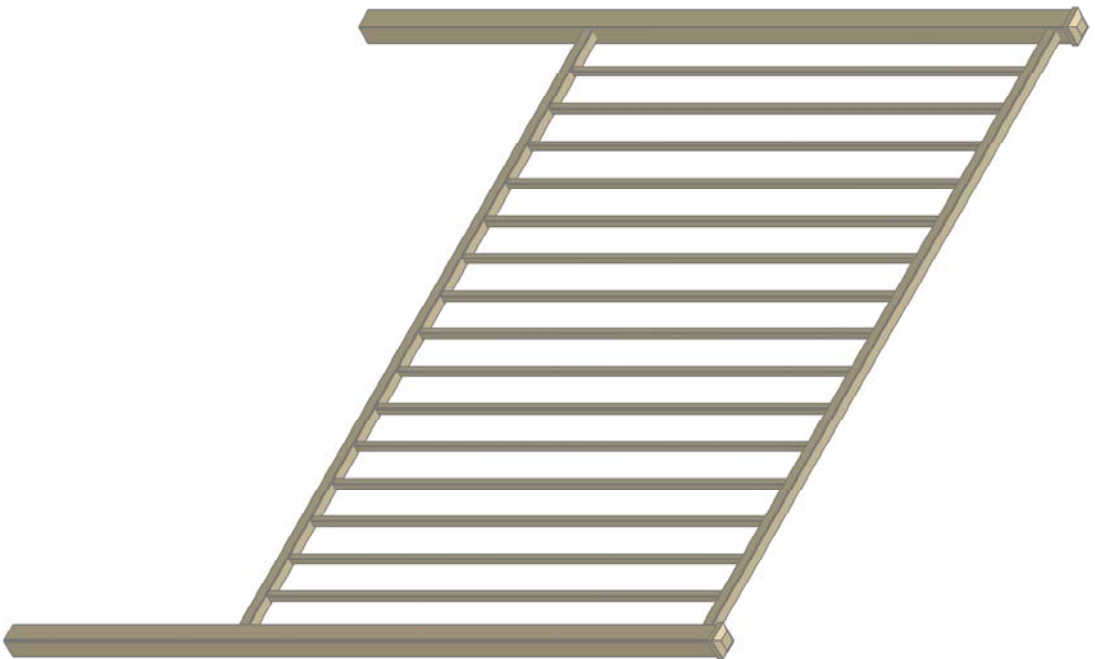
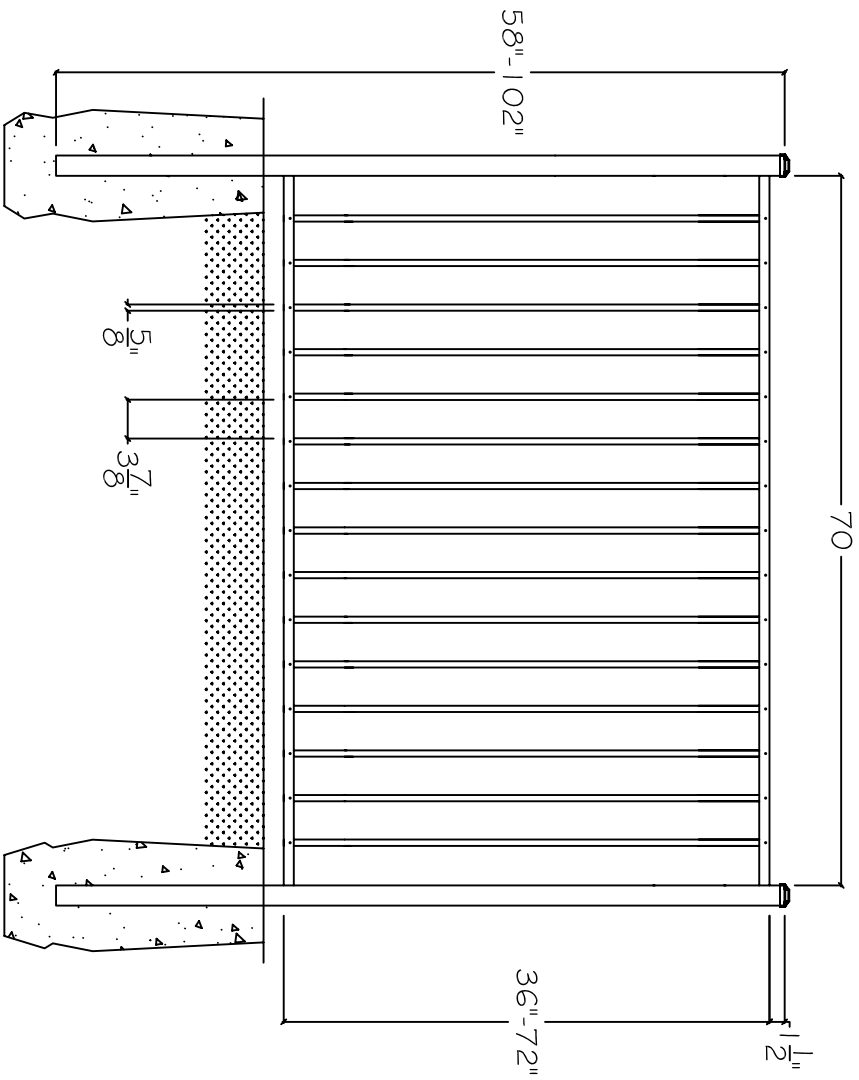


FENCE PARTS	
ITEM	DESCRIPTION
1	5/8" PRESS POINT PICKET W/ .050" THICKNESS
2	1" X 1" HORIZONTAL RAIL W/ .062" X .072" THICKNESS
3	2" POST CAP
4	2" SQ. POST W/ .062" THICKNESS
5	SCREWS
6	
7	
8	



Drawn by: M. RODRIGUEZ  
 www.aluminumproducts.com  
 This drawing is the property of Aluminum Products, Inc. It is not to be reproduced, copied, or traced in whole or in part without written consent.

**IDEAL**  
 Aluminum Products

2000 BRUNSWICK LANE  
 DELAND, FL. 32724  
 PHONE: 386-736-1700  
 FAX: 386-822-4950

DRAWING: #400 RESIDENTIAL

DWG. NO: 300-72-48

REV

SCALE: NTS

1/24/2007 8:44:02 AM