

NOTES:

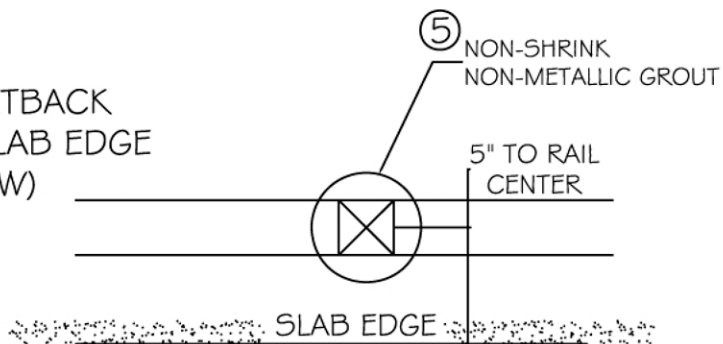
*DESIGN COMPLIES w/ SEC 1009 & 1607.7 OF 2006 IBC

& NFPA 101 1997 ED.

*ALL-WELDED ALUMINUM RAIL SYSTEM

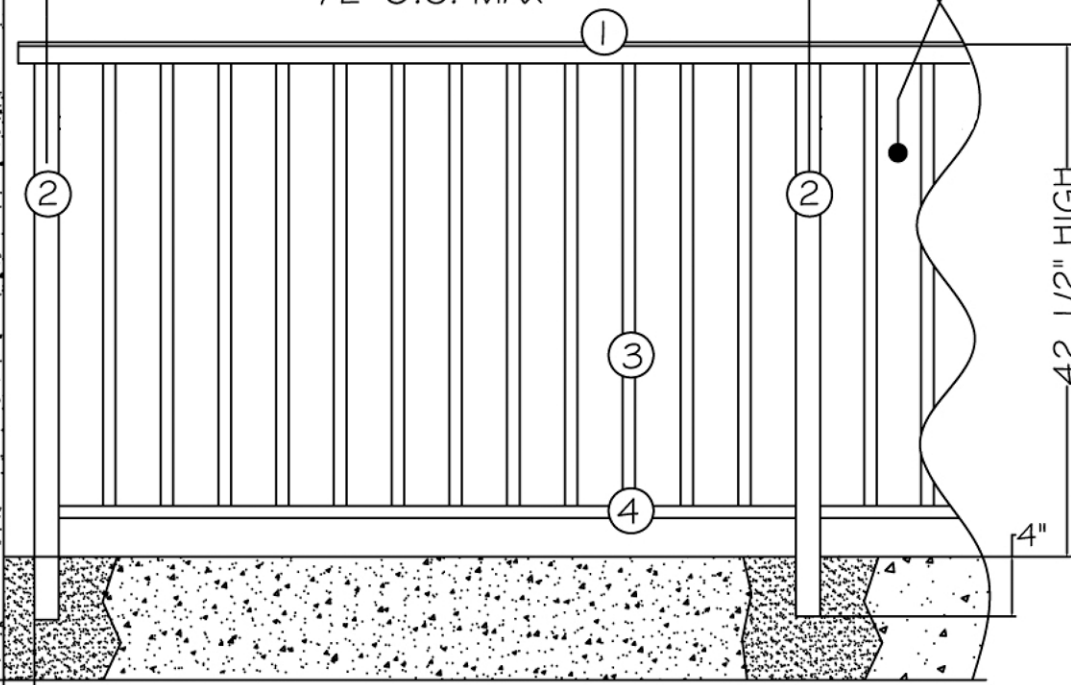
*FINISH:

POST SETBACK
FROM SLAB EDGE
(TOP VIEW)

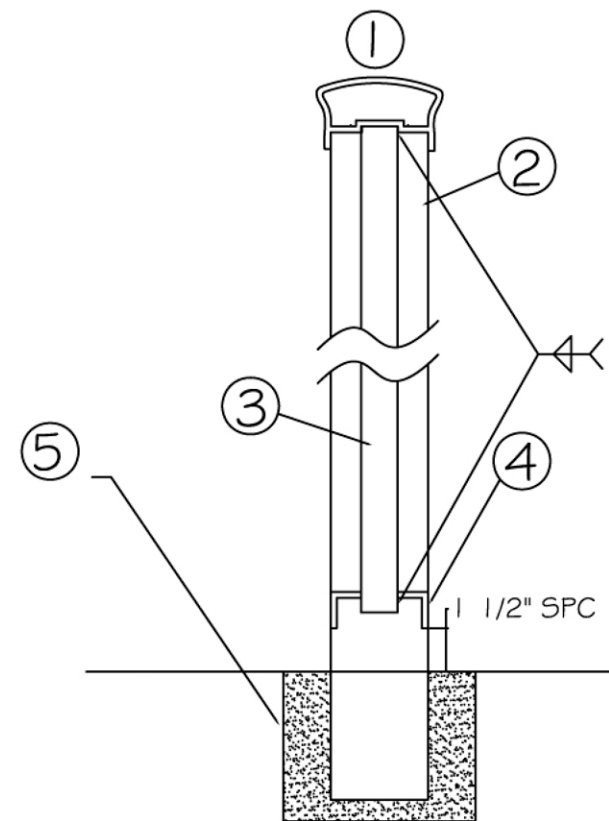


MAX PICKET
SPACE $3 \frac{7}{8}$ "

POST SPACING
72" O.C. MAX



SECTION THRU



MATERIAL (6063-T5)	WALL
① $2 \frac{5}{8}$ "x $1 \frac{1}{2}$ " TOP CAP	.093"
② 2x2" SQ. POST(6005-T6)	.125"
③ 3/4" SQ. PICKETS	.062"
④ 2x1" CHANNELS	.125"
⑤ NON-SHRINK NON-METALLIC GROUT	

PROJECT:

DRAWING:

DATE:



2000 BRUNSWICK LANE
DELAND, FL. 32724
PHONE: 386-736-1700
FAX: 386-822-4950