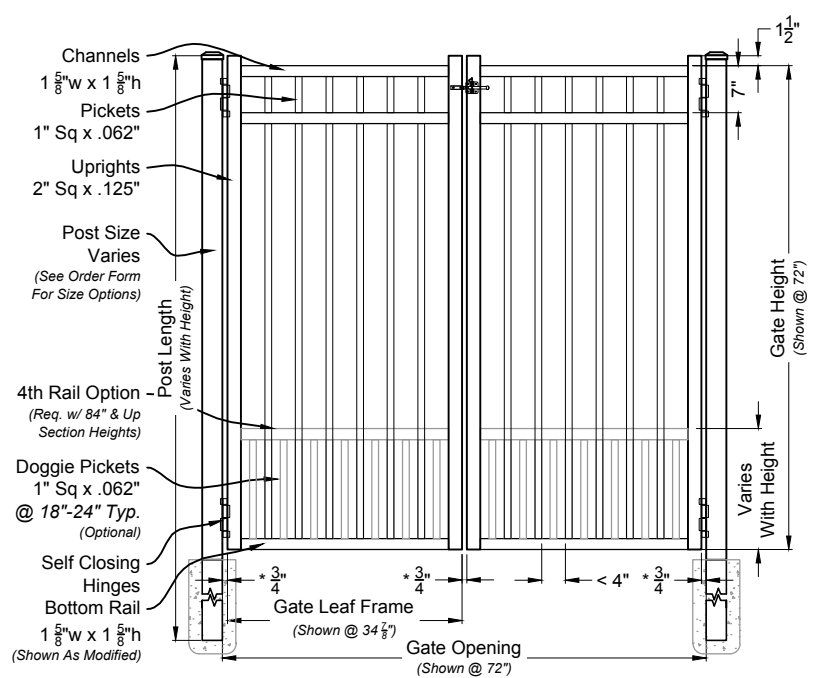
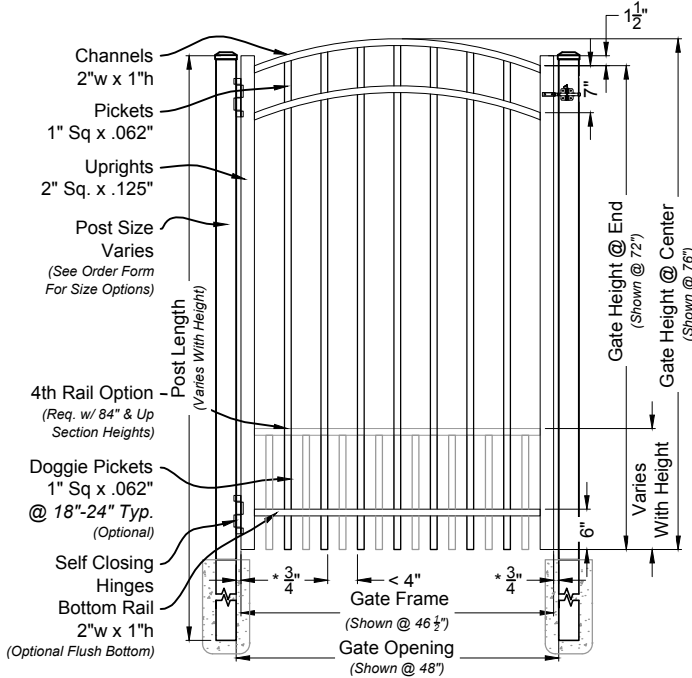


i 01 Long Islander #300 6ft Fence Panel
Shown As Industrial Series Scale: NTS

Matching Gate Options



i 02 Long Islander Single Walk Gate
#3003 Arched Rail Option Scale: NTS

i 03 Long Islander Double Walk Gate
#6300M Straight Rail Option Scale: NTS

Long Islander Fence & Gate
Industrial Series #300



DRAWING NOTES:

Don't Scale From Drawings.
Please See Our Fence & Gate Style Sheet For Other Options.

*Other Optional Gate Hardware Available, But May Change The Hinge And Latch Clearances.

Ind 300 Series
Fence & Gate
Details

Approved By: iDeal Aluminum Quote #:
Drawn By: JMixon Drawn Date: 26-Nov-13

2000 Brunswick Lane Phone: 386.736.1700
Deland, FL 32724 Fax: 386.822.4956