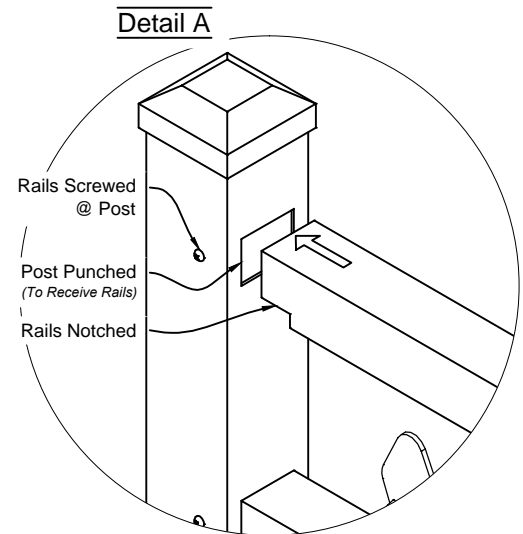


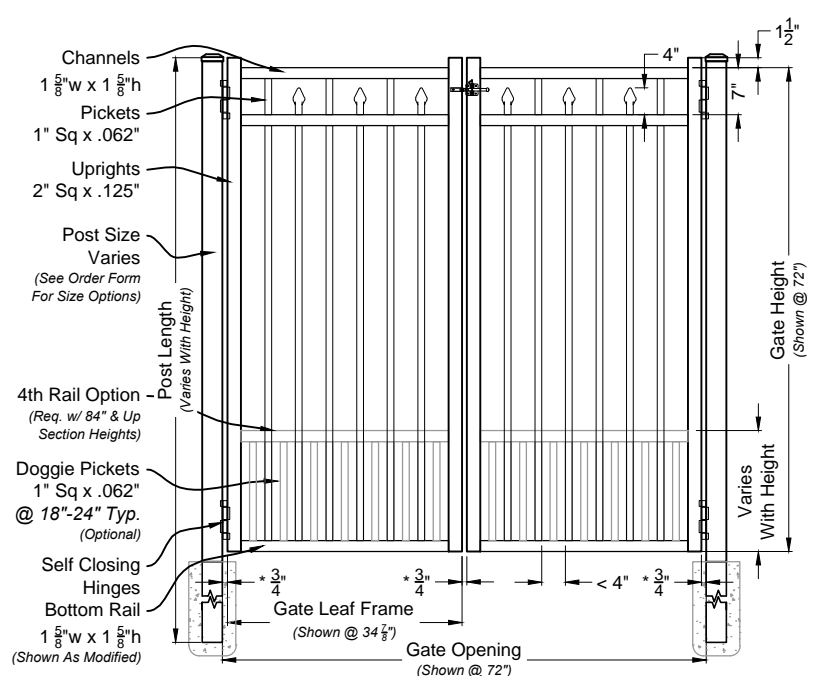
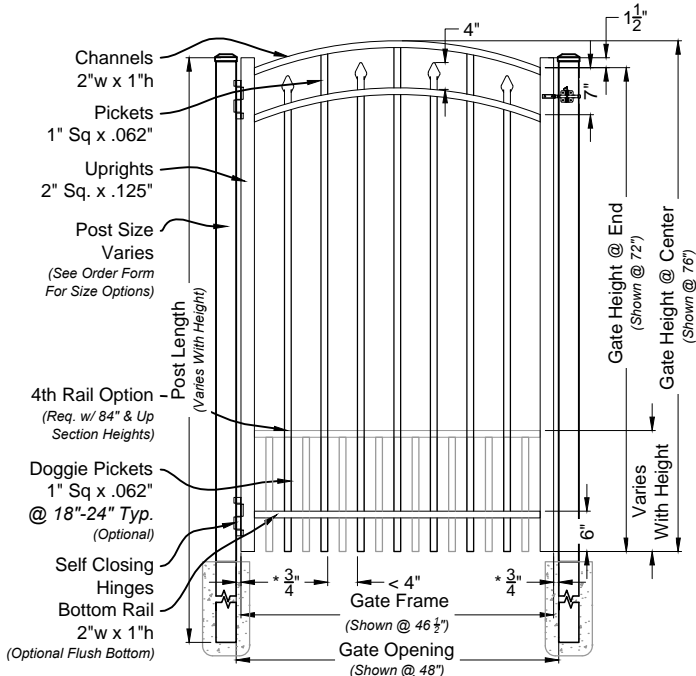
Rings
Not Available

Butterfly Scrolls
Not Available



i
 01 **Floridian #303 6ft Fence Panel**
 Shown As Industrial Series Scale: NTS

Matching Gate Options



i
 02 **Floridian Single Walk Gate**
 #3033 Arched Rail Option Scale: NTS

i
 03 **Floridian Double Walk Gate**
 #6303M Straight Rail Option Scale: NTS

Floridian Fence & Gate
 Industrial Series #303



DRAWING NOTES:

Don't Scale From Drawings.
 Please See Our Fence & Gate Style Sheet For
 Other Options.

*Other Optional Gate Hardware Available, But
 May Change The Hinge And Latch Clearances.

Ind 303 Series
 Fence & Gate
 Details

Approved By: iDeal Aluminum Quote #:
 Drawn By: JMixon Drawn Date: 26-Nov-13

2000 Brunswick Lane Phone: 386.736.1700
 Deland, FL 32724 Fax: 386.822.4956