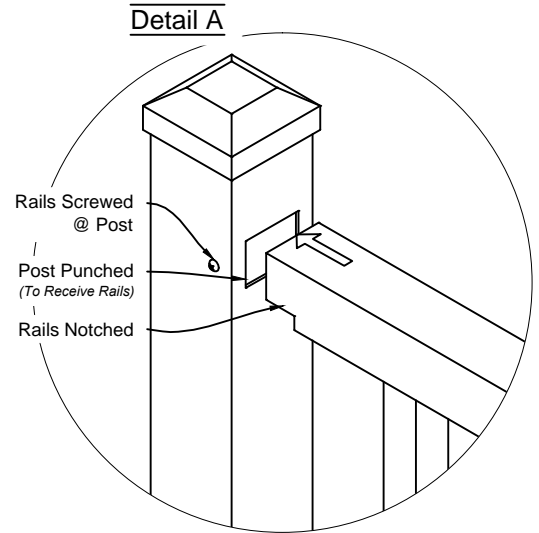


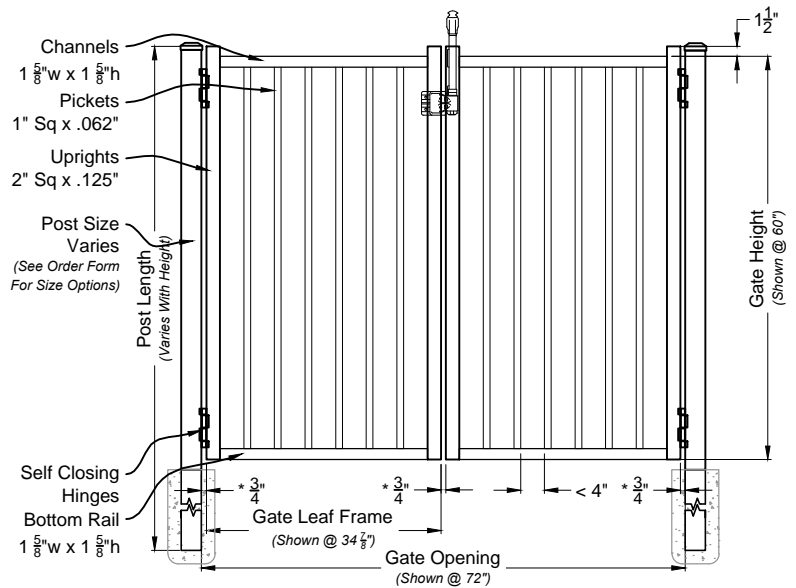
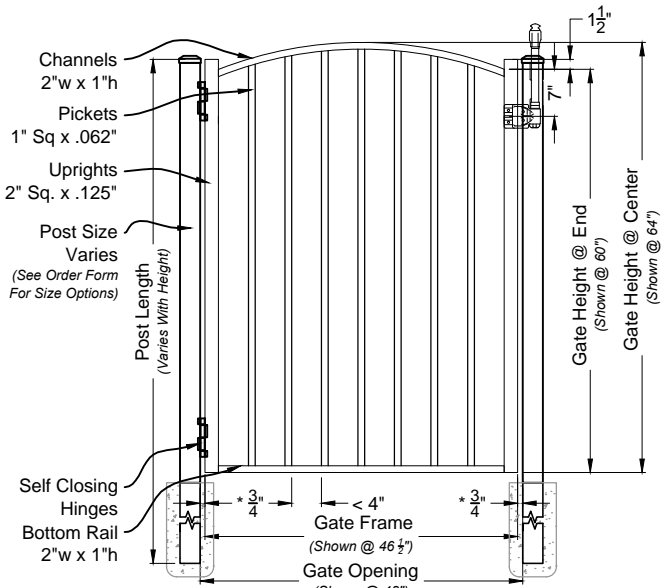
Rings
 Not Available

Butterfly Scrolls
 Not Available



i
 01 Alamo #400 6ft Fence Panel
 Shown As Industrial Series Scale: NTS

Matching Gate Options



i
 02 Alamo Single Walk Gate
 #4004 Arched Rail Option Scale: NTS

i
 03 Alamo Double Walk Gate
 #6400M Straight Rail Option Scale: NTS

Alamo Fence & Gate
 Industrial Series #400



DRAWING NOTES:

Don't Scale From Drawings.
 Please See Our Fence & Gate Style Sheet For Other Options.

*Other Optional Gate Hardware Available, But May Change The Hinge And Latch Clearances.

Ind 400 Series
 Fence & Gate
 Details

Approved By: iDeal Aluminum Quote #:
 Drawn By: JMixon Drawn Date: 26-Nov-13

2000 Brunswick Lane Phone: 386.736.1700
 Deland, FL 32724 Fax: 386.822.4956