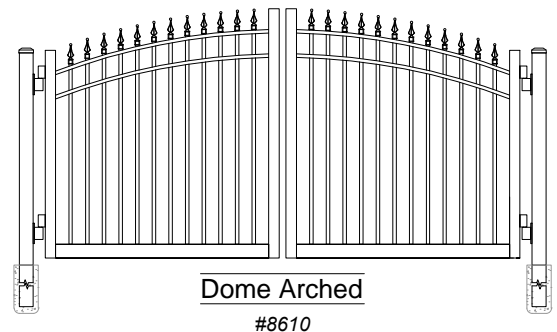
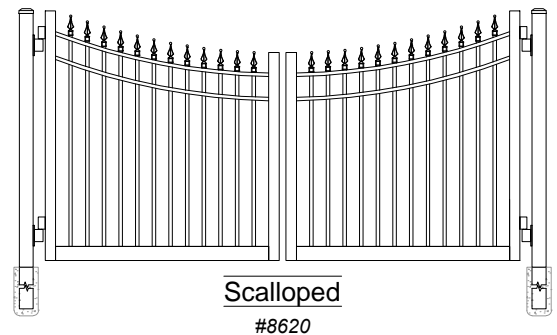
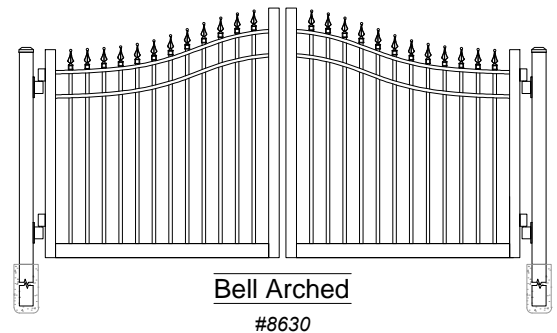
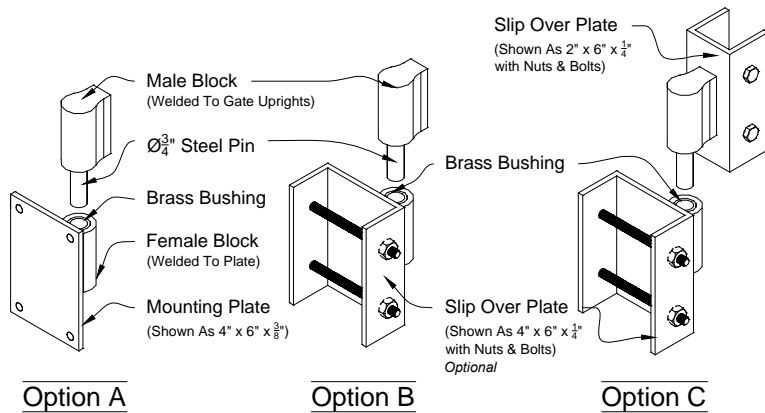
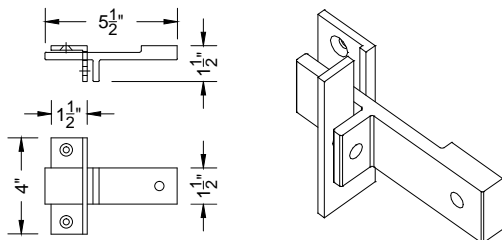


01 **Finials #8600 Double Swing Gate**
Shown As Standard (Industrial Series) Scale: NTS



02 **iDeal Barrel Hinge**
Custom To Fit Any Post Size Scale: NTS



03 **iDeal Double Drive Latch**
Fits 3/4" to 2" Gap Scale: NTS

Finials Double Swing Estate Gate
Industrial



DRAWING NOTES:
Don't Scale Drawings
Please See Our Estate Gate Style Sheet For
Other Options

Finials Series
Double Swing
Estate Gates

Approved By: iDeal Aluminum Quote #:
Drawn By: JMixon Drawn Date: 16-Feb-17

3200 Parker Drive Phone: 386.736.1700
St Augustine, FL 32084 Fax: 386.822.4956