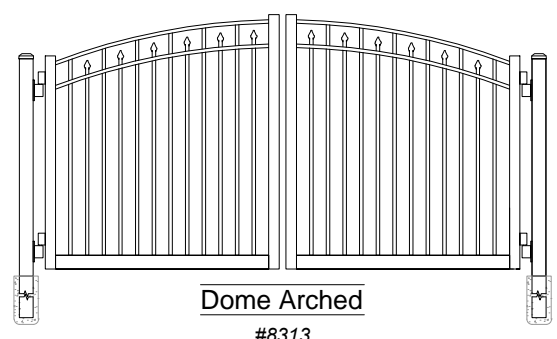
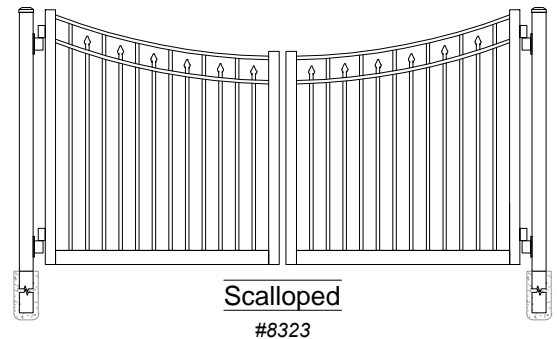
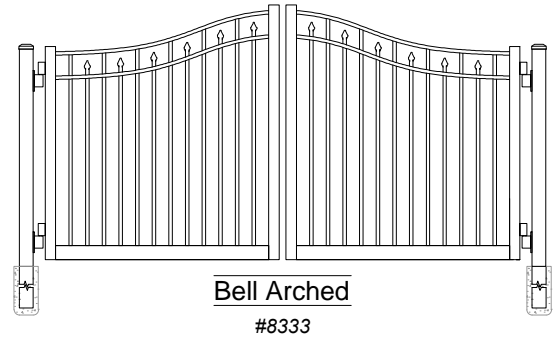
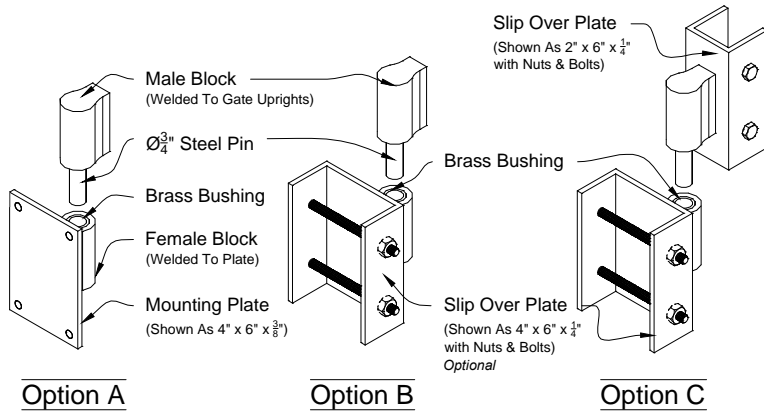
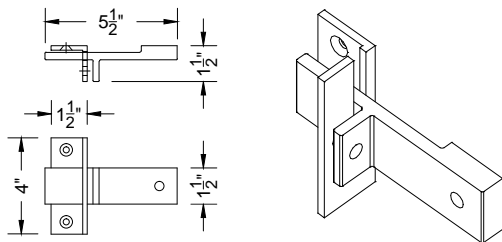


01 **Floridian #8303 Double Swing Gate**
 Shown As Standard (Industrial Series) Scale: NTS



02 **iDeal Barrel Hinge**
 Custom To Fit Any Post Size Scale: NTS



03 **iDeal Double Drive Latch**
 Fits 3/4\"/>

Floridian Double Swing Estate Gate
 Industrial



DRAWING NOTES:
 Don't Scale Drawings
 Please See Our Estate Gate Style Sheet For
 Other Options

Floridian Series
 Double Swing
 Estate Gates

Approved By: iDeal Aluminum Quote #: _____
 Drawn By: JMixon Drawn Date: 15-Feb-17

3200 Parker Drive Phone: 386.736.1700
 St. Augustine, FL 32084 Fax: 386.822.4956