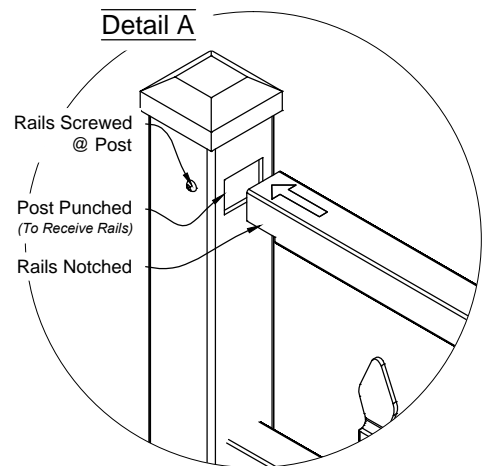


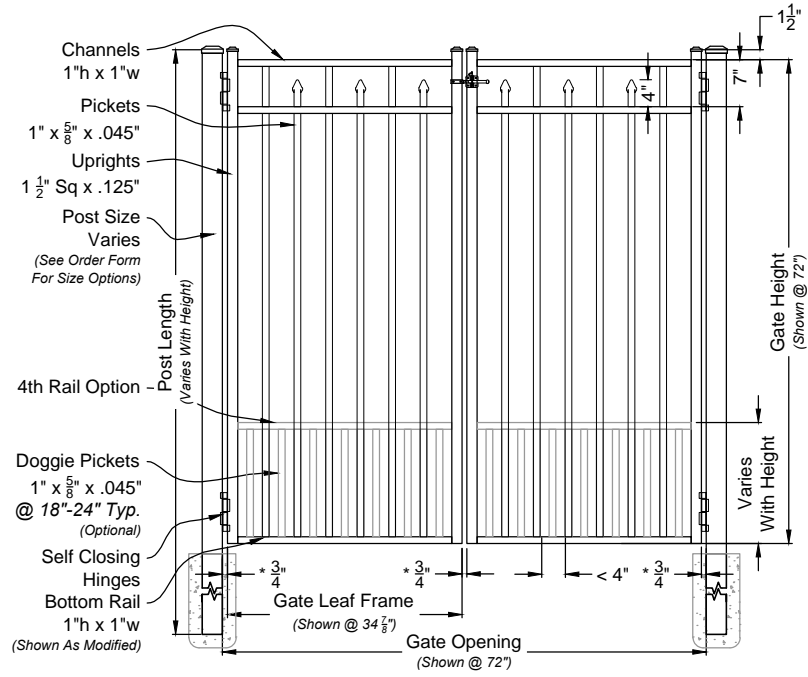
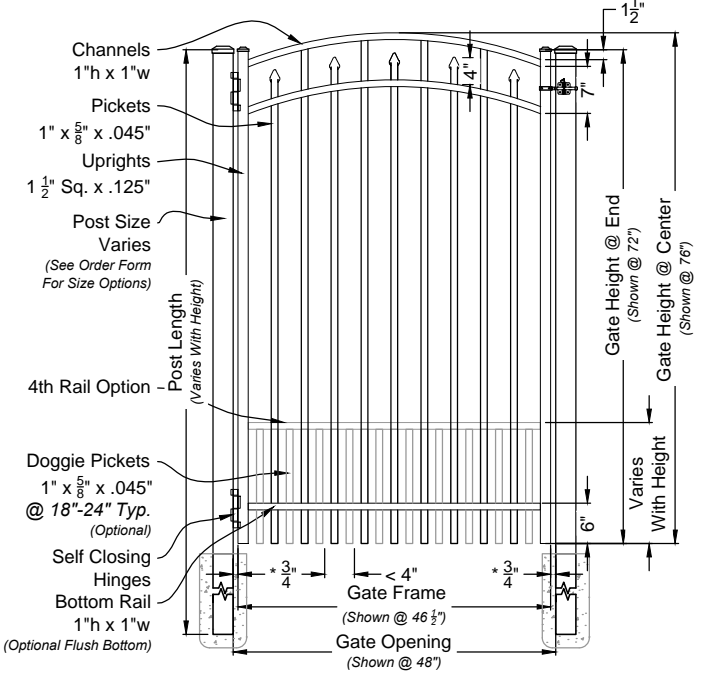
Rings /
Not Available

Butterfly Scrolls /
Not Available



i
 01 **Floridian #303 6ft Fence Panel**
 Shown As Parkway Series Scale: NTS

Matching Gate Options



i
 02 **Floridian Single Walk Gate**
 #3033 Arched Rail Option Scale: NTS

i
 03 **Floridian Double Walk Gate**
 #6303M Straight Rail Option Scale: NTS

Floridian Fence & Gate
 Parkway Series #303



DRAWING NOTES:
 Don't Scale From Drawings.
 Please See Our Fence & Gate Style Sheet For Other Options.
 *Other Optional Gate Hardware Available, But May Change The Hinge And Latch Clearances.

Pky 303 Series
 Fence & Gate
 Details

Approved By: iDeal Aluminum Quote #:
 Drawn By: JMixon Drawn Date: 12-Apr-17

3200 Parker Drive Phone: 386.736.1700
 St Augustine, FL 32084 Fax: 386.822.4956