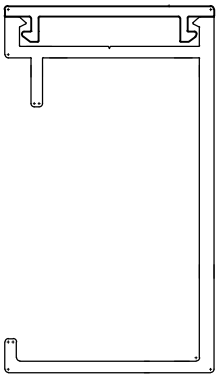
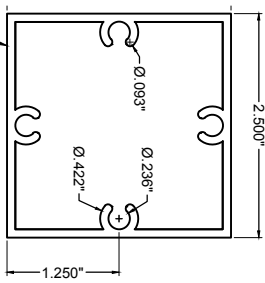


Top Rail

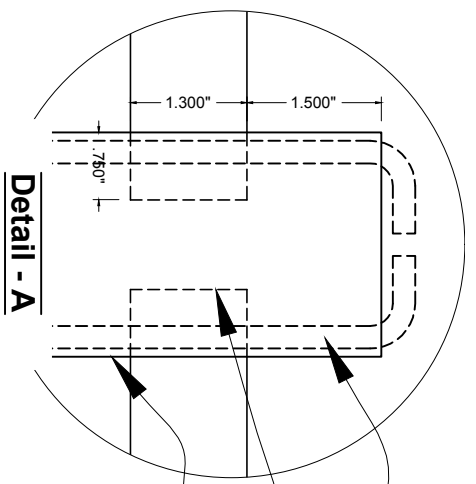


Bottom Rail



Post
2 1/2" Sq x .093"

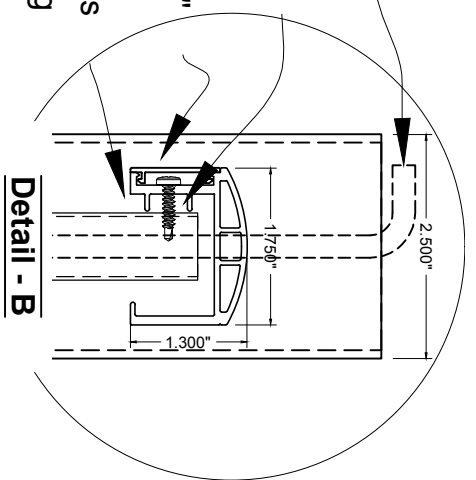
Post Details



Detail - A

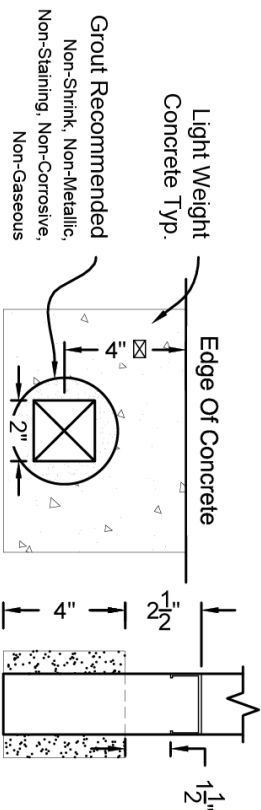
Front Elevation View

Drop Rod
Ø.22" ±
Post Punched
For Top Rail
Post 2 1/2" Sq x .093"
SS Screw @ Pickets
#6 x 5/8" Self Tapping



Detail - B

Section Elevation View

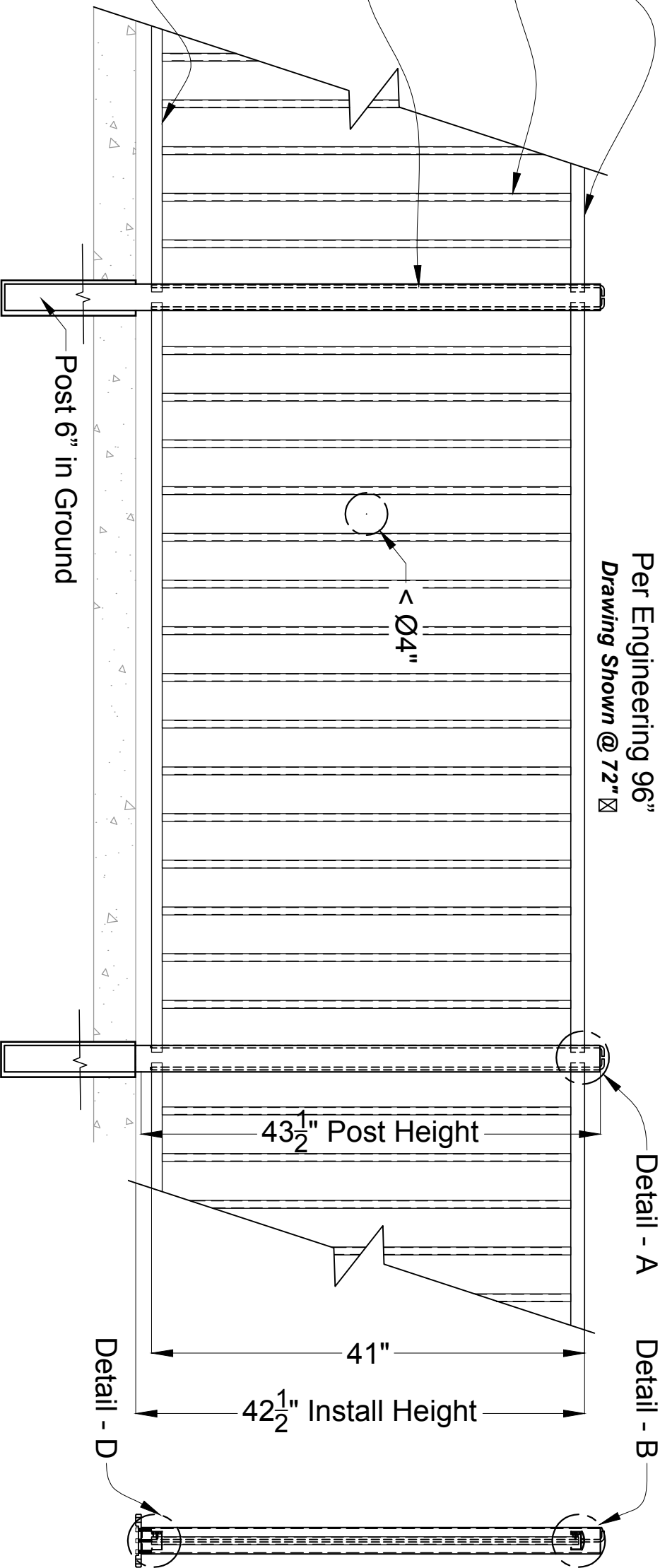


Typ. Core Drill
Scale: NTS

Light Weight
Concrete Typ.
Grout Recommended
Non-Shrink, Non-Metallic,
Non-Staining, Non-Corrosive,
Non-Gaseous

Top Rail
1.75" x 1.30"
w/ Cover Plate
Pickets
3/4" Sq x .055"
w/ Self Tapping
#8 x 3/4" SS Top & Bot
Posts
2 1/2" Sq x .093"

Bottom Rail
1.75" x 1.00"
w/ Cover Plate



Max Post Spacing
Per Engineering 96"
Drawing Shown @ 72"

Detail - A

Detail - B

Detail - D

Post 6" in Ground

iDeal Mechanical Railing System

NOTICE:
All drawings, specifications and copies thereof are instruments of service only and remain the property of these clients. The reproduction or unauthorized use of these documents on any other project without written permission from IDEAL ALUMINUM PRODUCTS is strictly prohibited. This design is protected by federal copyright laws.



DO NOT SCALE DRAWING.
FOR DIMENSIONS NOT SHOWN
CONTACT PLAN COORDINATOR FOR
CLARIFICATION

COPYRIGHT 2013
Ideal Aluminum Products

2000 Brunswick Lane Phone: 386.736.1700
Deland, FL 32724 Fax: 386.822.4956

DRAWING NOTES:

Engineering

Order # TBD
Drawn By:

Quote #: #####
Drawn Date: