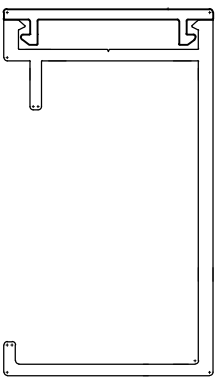
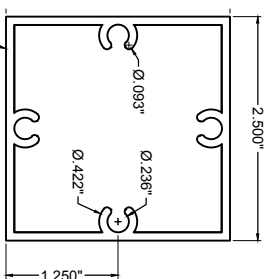


Top Rail

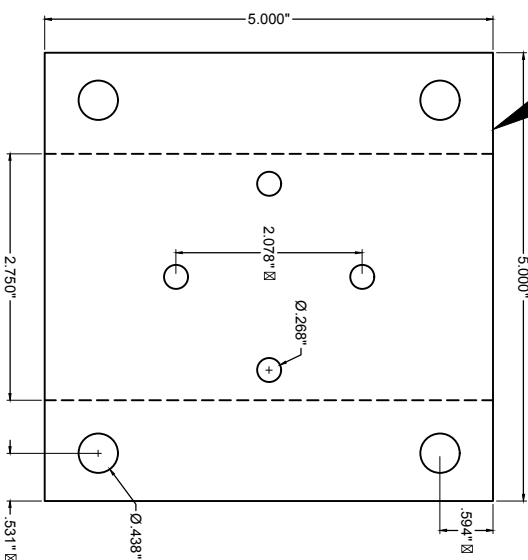


Bottom Rail

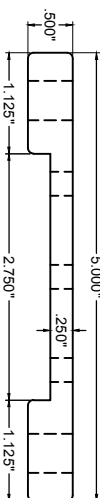
Post Flange Plate
5" Sq x .25"/.50"



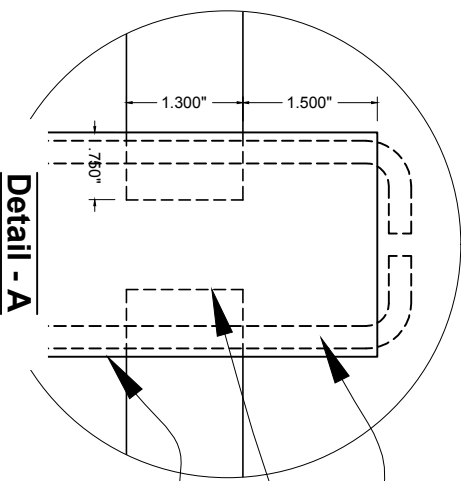
Post
2 1/2" Sq x .093"



Post & Flange Details

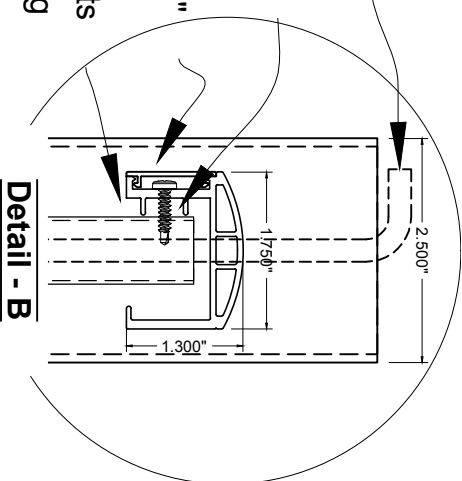


Front Elevation View



Drop Rod
Ø.22" ±
Post Punched
For Top Rail
Post 2 1/2" Sq x .093"
SS Screw @ Pickets
#6 x 5/8" Self Tapping

Section Elevation View

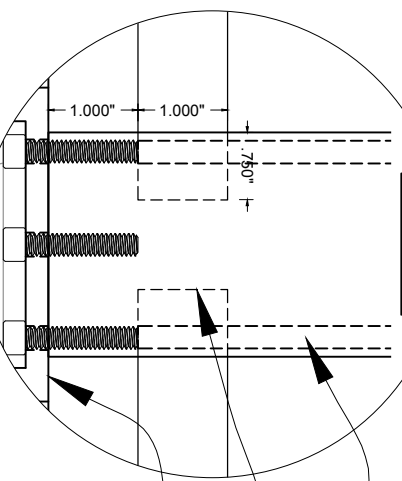


Detail - A

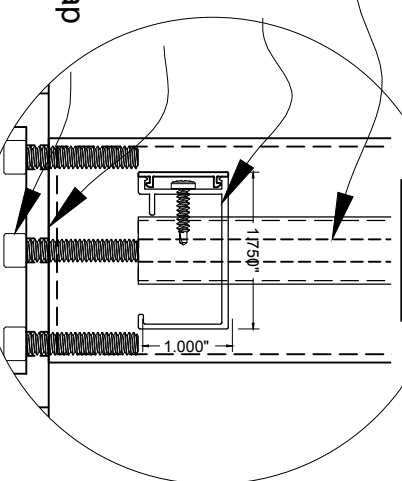
Detail - B

Detail - C

Detail - D

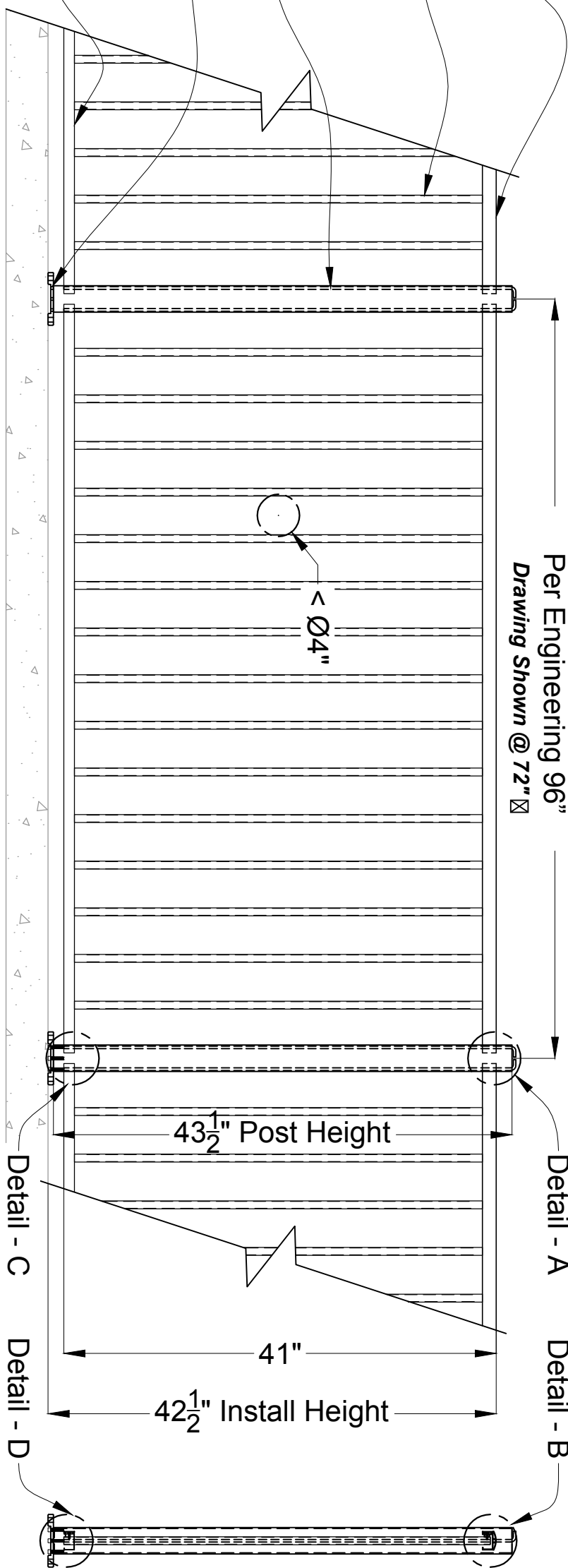


Drop Rod
Ø.22" ±
Post Punched
For Bottom Rail
Post Flange Plate
5" Sq x .25"/.50"
SS Socket Head Cap
(x4) 1/4" x 1 1/2"



Max Post Spacing
Per Engineering 96"
Drawing Shown @ 72" ☒

- Top Rail
1.75" x 1.30"
w/ Cover Plate
- Pickets
3/4" Sq x .055"
w/ Self Tapping
- Posts
#8 x 3/4" SS Top & Bot
- Flange Plate
2 1/2" Sq x .093"
- 5" Sq x .25"/.50"
Fastened w/ (x4) 1/4" x 1 1/2"
SS Socket Head Cap
- Bottom Rail
1.75" x 1.00"
w/ Cover Plate



Detail - A

Detail - B

Detail - C

Detail - D

iDeal Mechanical Railing System

NOTICE:
All drawings, specifications and copies thereof are instruments of service only and remain the property of these clients. The reproduction or unauthorized use of these documents on any other project without written permission from IDEAL ALUMINUM PRODUCTS is strictly prohibited. This design is protected by federal copyright laws.



DO NOT SCALE DRAWING.
FOR DIMENSIONS NOT SHOWN CONTACT PLAN COORDINATOR FOR CLARIFICATION

COPYRIGHT 2013
Ideal Aluminum Products

DRAWING NOTES:

2000 Brunswick Lane Phone: 386.736.1700
Deland, FL 32724 Fax: 386.822.4956

Engineering

Order # TBD
Drawn By:

Quote #: #####
Drawn Date: