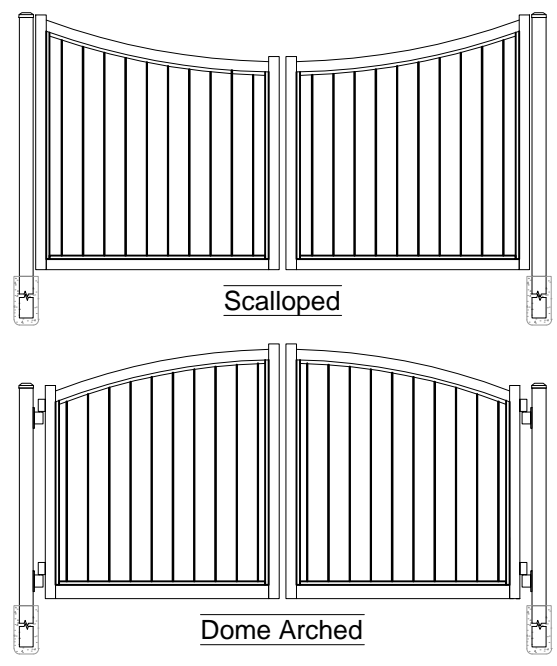
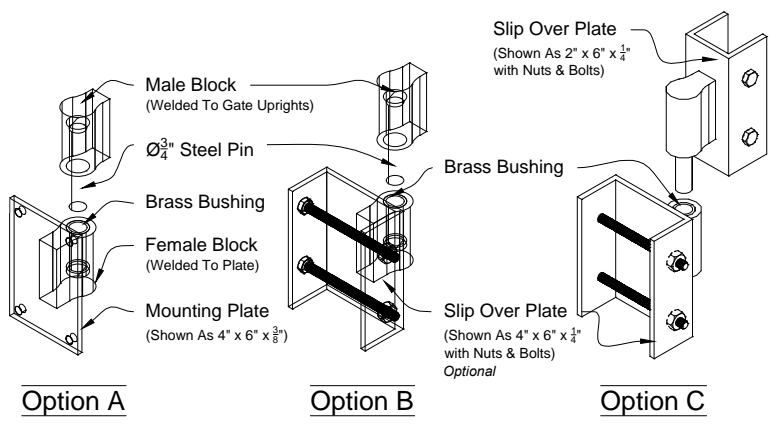
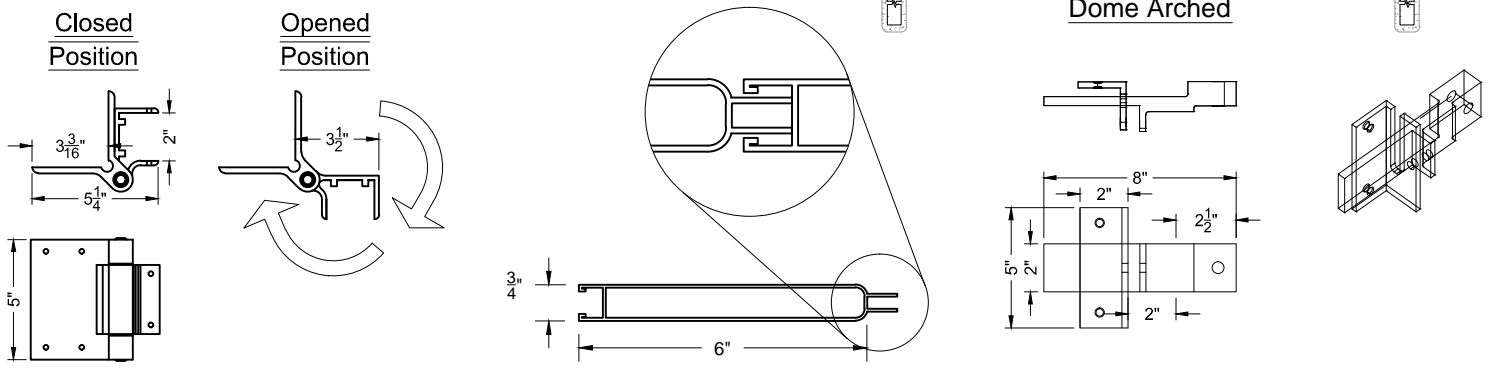


01 Privacy Double Swing Gate
 Shown As Tongue & Groove Slats Scale: NTS



02 iDeal Barrel Hinge
 Custom To Fix Any Post Size Scale: NTS



03 iDeal 180° Hinge
 Fits 4" Sq & Up Post Scale: NTS

04 Privacy Material
 6" Slat Scale: NTS

05 iDeal Double Drive Latch
 Min 2" Gap Required Scale: NTS

Privacy Double Swing Estate Gate
 Tongue & Groove Privacy Series



DRAWING NOTES:
 Don't Scale Drawings
 Please See Our Estate Gate Style Sheet For Other Options

Privacy Double Swing Estate Gates

Approved By: iDeal Aluminum Quote #: _____
 Drawn By: JMixon Drawn Date: 26-Nov-13

2000 Brunswick Lane Phone: 386.736.1700
 Deland, FL 32724 Fax: 386.822.4956