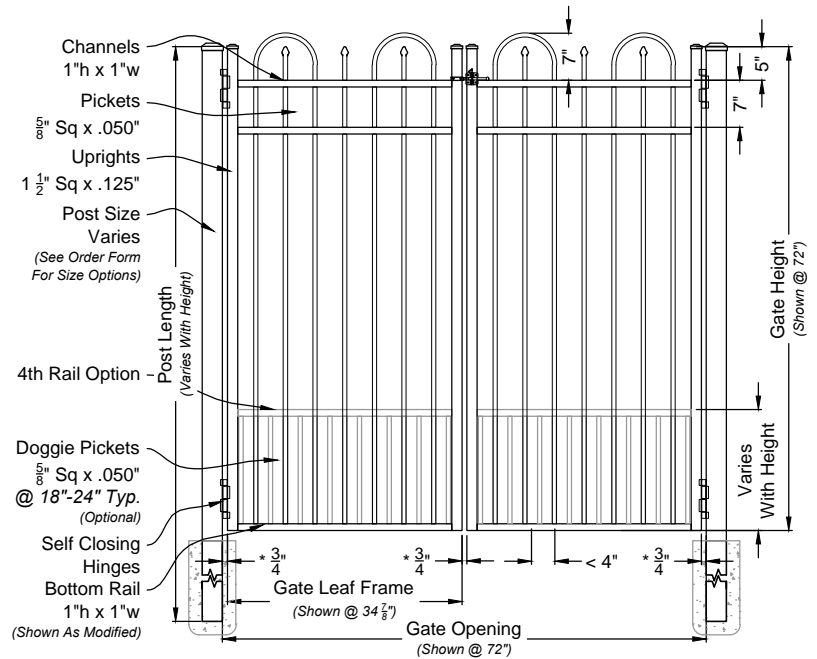
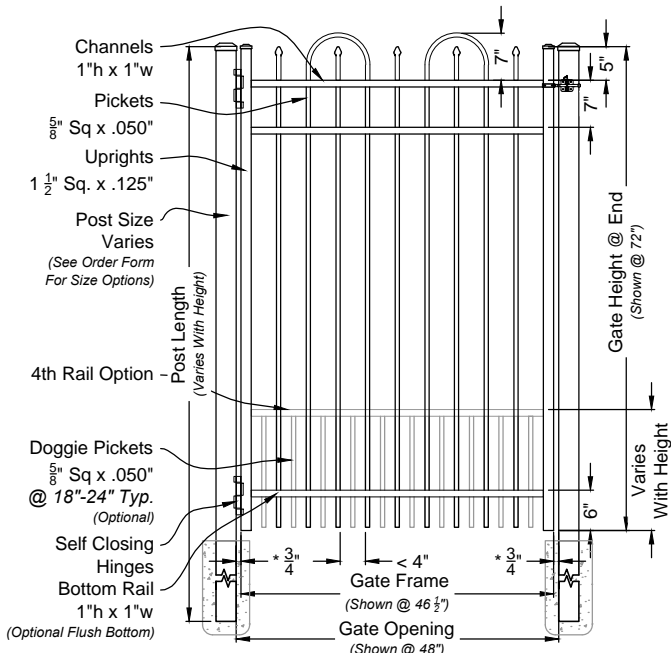


i
01 **Vanderbilt #502 6ft Fence Panel**
Shown As Select Residential Series Scale: NTS

Matching Gate Options



i
02 **Vanderbilt Single Walk Gate**
#5020 Arched Rail Option Scale: NTS

i
03 **Vanderbilt Double Walk Gate**
#6502M Straight Rail Option Scale: NTS

Vanderbilt Fence & Gate
Select Residential Series #502



DRAWING NOTES:

Don't Scale From Drawings.
Please See Our Fence & Gate Style Sheet For Other Options.

*Other Optional Gate Hardware Available, But May Change The Hinge And Latch Clearances.

Res 502 Series
Fence & Gate
Details

Approved By: iDeal Aluminum Quote #: _____
Drawn By: JMixon Drawn Date: 23-Mar-17

3200 Parker Drive Phone: 386.736.1700
St Augustine, FL 32084 Fax: 386.822.4956