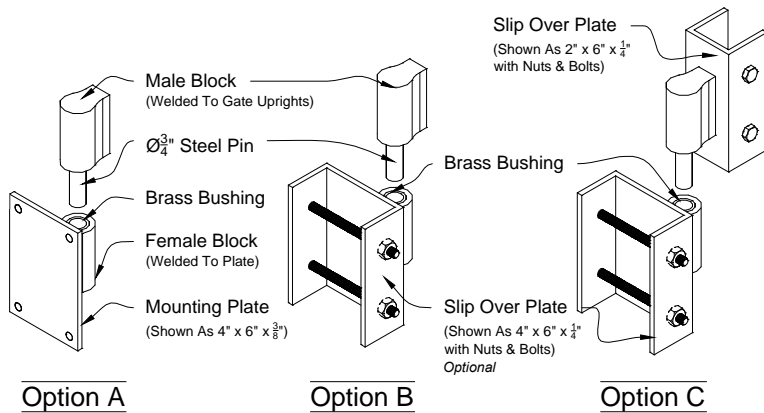
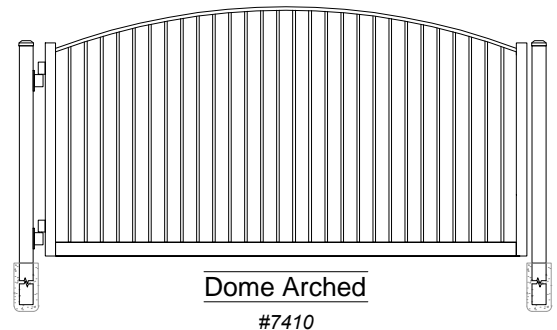
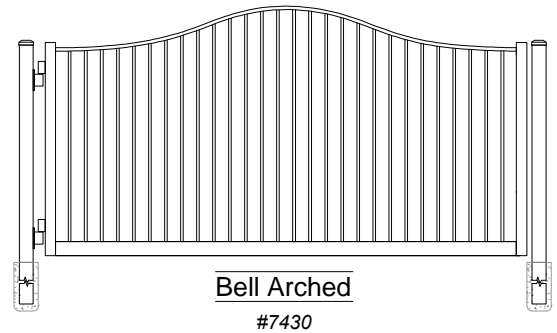


01 **Alamo #7400 Single Swing Gate**
Shown As Standard (Commercial Series) Scale: NTS



02 **iDeal Barrel Hinge**
Custom To Fit Any Post Size Scale: NTS



Alamo Single Swing Estate Gate
Commercial



DRAWING NOTES:
Don't Scale Drawings
Please See Our Estate Gate Style Sheet For
Other Options

Alamo Series
Single Swing
Estate Gates

Approved By: iDeal Aluminum Quote #: _____
Drawn By: JMixon Drawn Date: 16-Feb-17

3200 Parker Drive Phone: 386.736.1700
St Augustine, FL 32084 Fax: 386.822.4956