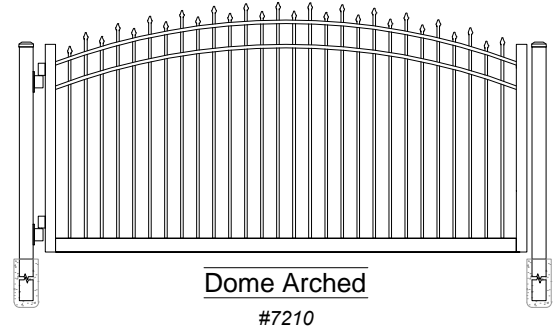
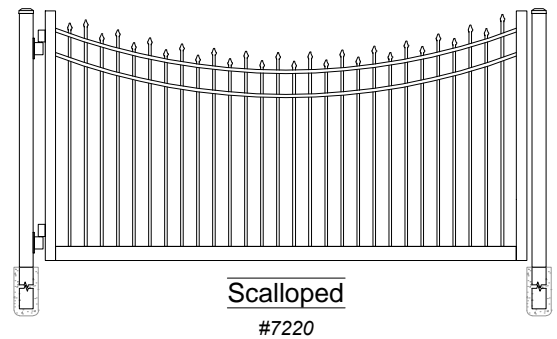
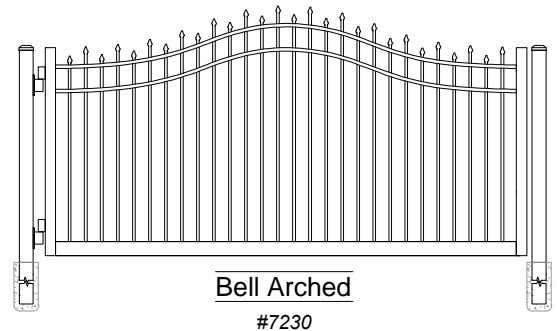
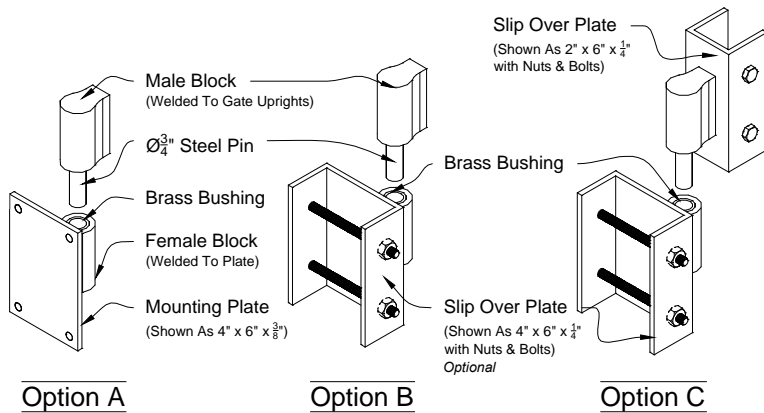


01 **Californian #7200 Single Swing Gate**
 Shown As Standard (Commercial Series) Scale: NTS



Californian Single Swing Estate Gate
 Commercial



DRAWING NOTES:
 Don't Scale Drawings
 Please See Our Estate Gate Style Sheet For
 Other Options

Californian
 Series Single
 Swing Estate
 Gates

Approved By: iDeal Aluminum Quote #: _____
 Drawn By: JMixon Drawn Date: 16-Feb-17

3200 Parker Drive Phone: 386.736.1700
 St Augustine, FL 32084 Fax: 386.822.4956