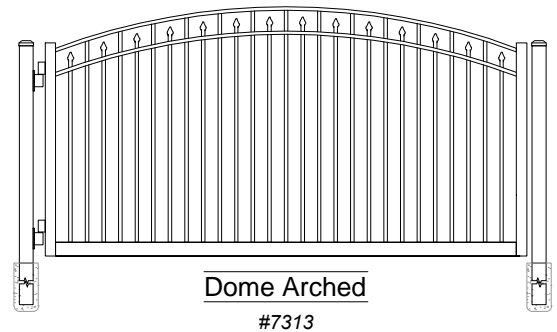
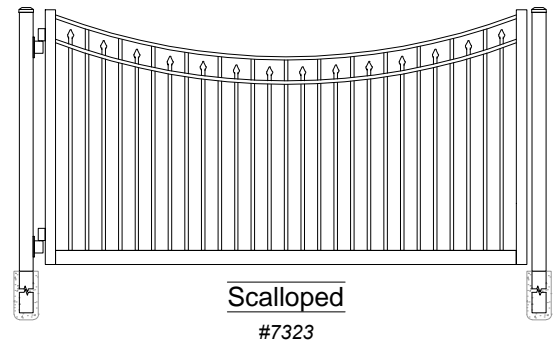
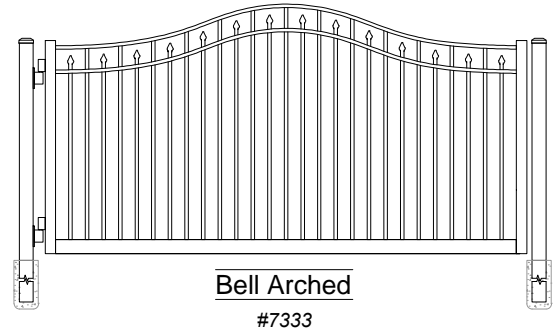
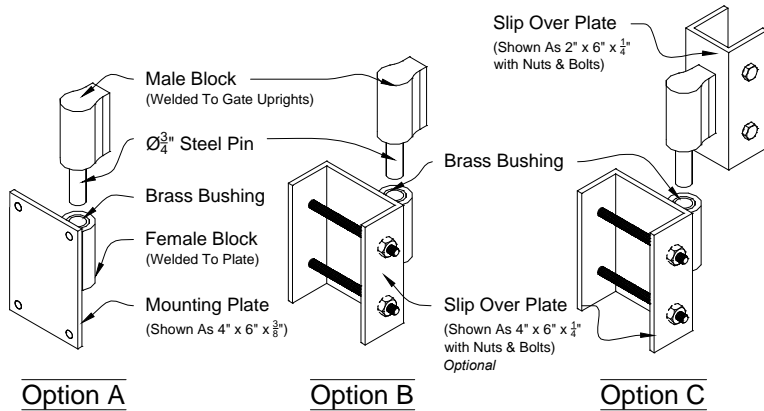


**01** **Floridian #7303 Single Swing Gate**  
Shown As Standard (Industrial Series) Scale: NTS



**02** **iDeal Barrel Hinge**  
Custom To Fit Any Post Size Scale: NTS

**Floridian Single Swing Estate Gate**  
Industrial



**DRAWING NOTES:**  
Don't Scale Drawings  
Please See Our Estate Gate Style Sheet For  
Other Options

Floridian Series  
Single Swing  
Estate Gates

Approved By: iDeal Aluminum      Quote #: \_\_\_\_\_  
Drawn By: JMixon      Drawn Date: 16-Feb-17

3200 Parker Drive      Phone: 386.736.1700  
St Augustine, FL 32084      Fax: 386.822.4956