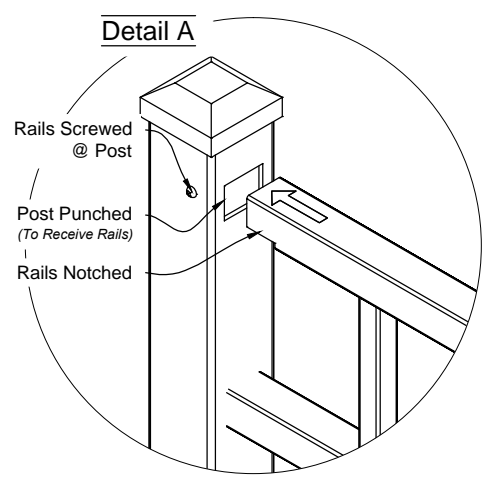


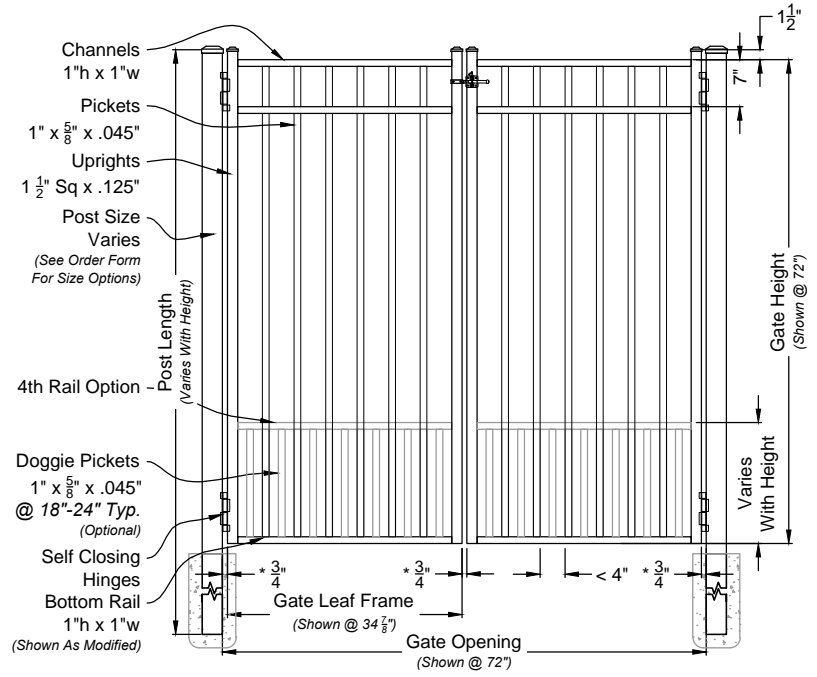
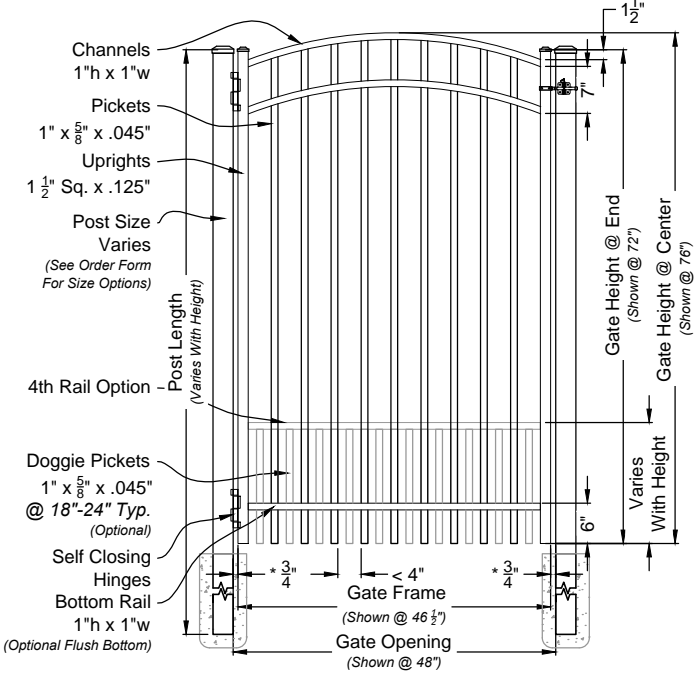
Rings
 Not Available

Butterfly Scrolls
 Not Available



01 Long Islander #300 6ft Fence Panel
 Shown As Parkway Series Scale: NTS

Matching Gate Options



02 Long Islander Single Walk Gate
 #3003 Arched Rail Option Scale: NTS

03 Long Islander Double Walk Gate
 #6300M Straight Rail Option Scale: NTS

Long Islander Fence & Gate
 Parkway Series #300



DRAWING NOTES:
 Don't Scale From Drawings.
 Please See Our Fence & Gate Style Sheet For Other Options.
 *Other Optional Gate Hardware Available, But May Change The Hinge And Latch Clearances.

Pky 300 Series
 Fence & Gate
 Details

Approved By: iDeal Aluminum Quote #:
 Drawn By: JMixon Drawn Date: 12-Apr-17

3200 Parker Drive Phone: 386.736.1700
 St Augustine, FL 32084 Fax: 386.822.4956