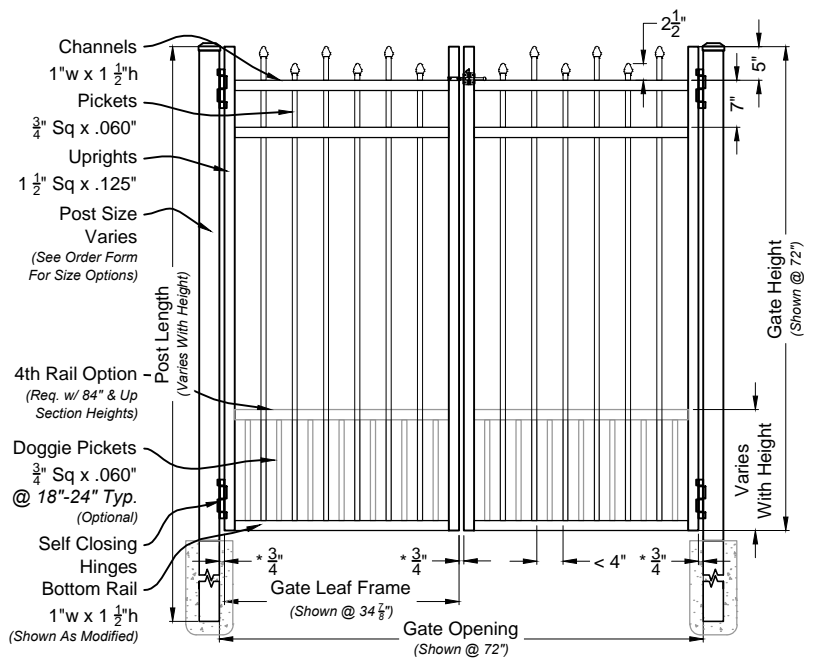
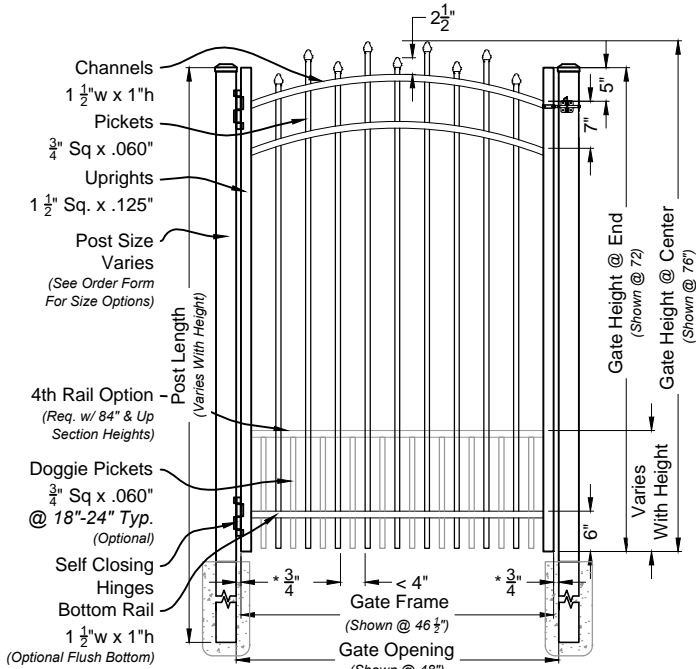


**i** 01 **Californian #200 6ft Fence Panel**  
Shown As Commercial Series Scale: NTS

### Matching Gate Options



**i** 02 **Californian Single Walk Gate**  
#2003 Arched Rail Option Scale: NTS

**i** 03 **Californian Double Walk Gate**  
#6200M Straight Rail Option Scale: NTS

Californian Fence & Gate  
Commercial Series #200



**DRAWING NOTES:**

Don't Scale From Drawings.  
Please See Our Fence & Gate Style Sheet For  
Other Options.

\*Other Optional Gate Hardware Available, But  
May Change The Hinge And Latch Clearances.

Com 200 Series  
Fence & Gate  
Details

Approved By: iDeal Aluminum Quote #:   
Drawn By: JMixon Drawn Date: 26-Nov-13

2000 Brunswick Lane Phone: 386.736.1700  
Deland, FL 32724 Fax: 386.822.4956