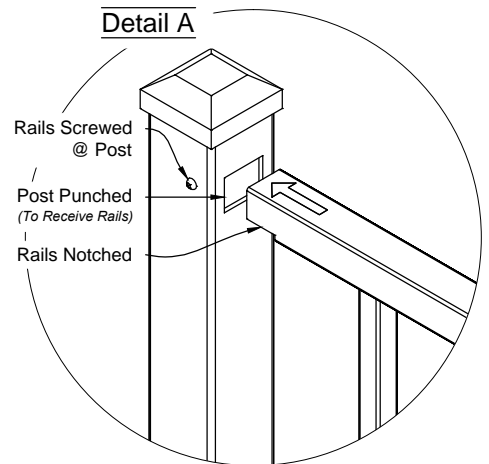


Rings /

Not Available

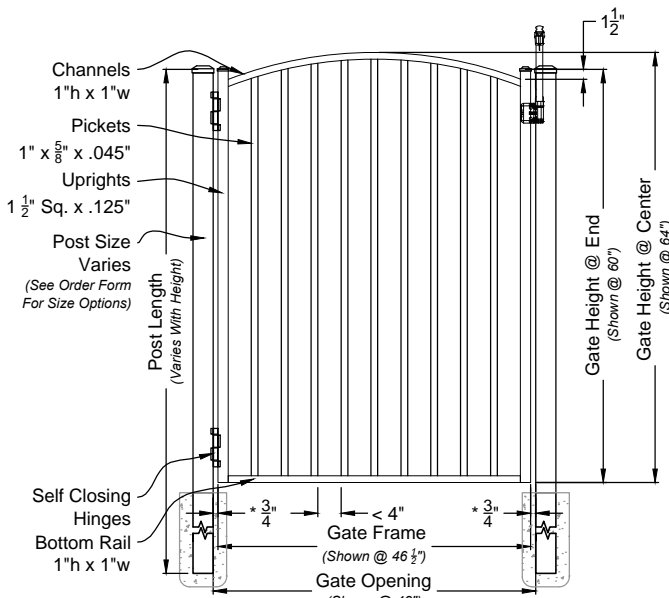
Butterfly Scrolls /

Not Available

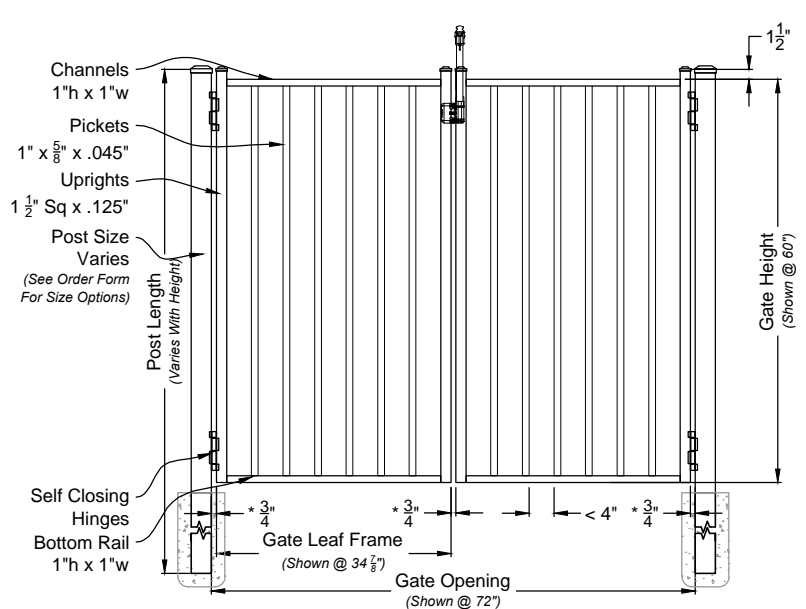


**i**  
01 **Alamo #400 6ft Fence Panel**  
Shown As Parkway Series Scale: NTS

### Matching Gate Options



**i**  
02 **Alamo Single Walk Gate**  
#4004 Arched Rail Option Scale: NTS



**i**  
03 **Alamo Double Walk Gate**  
#6400M Straight Rail Option Scale: NTS

**Alamo Fence & Gate**  
Parkway Series #400



**DRAWING NOTES:**

Don't Scale From Drawings.  
Please See Our Fence & Gate Style Sheet For Other Options.

\*Other Optional Gate Hardware Available, But May Change The Hinge And Latch Clearances.

Pky 400 Series  
Fence & Gate  
Details  
Pool Code

Approved By: iDeal Aluminum Quote #:   
Drawn By: JMixon Drawn Date: 12-Apr-17

3200 Parker Drive Phone: 386.736.1700  
St Augustine, FL 32084 Fax: 386.822.4956